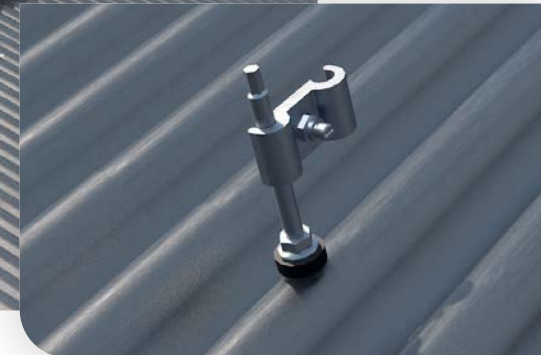


Installation manual ValkPitched Hangerbolt



Installation manual ValkPitched Hangerbolt

Index

Disclaimer

Mounting the hanger bolts

Mounting the Side++ profile

Mounting the Side++ coupling

Mounting optional products

Mounting end clamps

Mounting middle clamps

Mounting cable clamp

Pay attention

- This manual is not project specific.
- This manual is not legally binding.
- No rights may be derived from this installation manual.
- See **datasheet ValkCableCare** for cable management.
- The system is placed in the middle zone of the roof.





Disclaimer

This installation manual composed with the greatest possible care and contains specific information for correct and safe installation of the solar mounting system, including installation drawings and ballast tables, calculated according to the Eurocode regulations. The standard values used for input of these calculations, always need to be checked in advance by the installer for correctness. In case values are different, a project case specific calculation needs to be made. Please contact Van der Valk Solar Systems in this situation.

At all times all currently applicable structural, safety and building regulations must be observed prior to installation of the solar mounting system. The building in question will be subject to a load as a result of the solar mounting system installed/mounted. Solar mounting systems installed on roofs will be exposed to wind and snow loads. Therefore, you are at all times responsible to obtain and use a design calculation to establish whether or not the building will be able to withstand the (extra) load at all times. Where necessary, modifications need to be made by you. Van der Valk will not accept any form of liability upon you not having obtained and used such a required design calculation.

Mounting systems for PV-panels placed on flat roofs should either be mechanically attached to the roof or need to be supported by ballast, to make sure that the solar mounting system is unable to be lifted, tipped over or slide. The required ballast weight per system shown in the tables in this manual ensures that the mounting system can be installed and used safely. In case the inclination of the roofs is 5 degrees or more, the PV-mounting system must always be mechanically fixed to the construction of the roof.

The calculations do not take into account obstacles in the near surrounding such as, for example, high buildings, cliffs and mountains. Restrictions also apply for the position of the solar mounting system on a roof. The solar panels must be installed at a certain distance from the edge of the roof: the middle zone.

The standard warranty is 10 years, which can be extended under certain conditions. The guarantee provided is subject to the guarantee conditions stated in the general terms and conditions stipulated by Van der Valk Solar Systems B.V.. Our terms and conditions shall apply to all our products at all times and can be found on our website:

www.valksolarsystems.com

Van der Valk Solar Systems B.V. does not accept any liability for any direct and/or indirect consequences of any act (or omission) ensuing from the information in or failure to observe the instructions provided in this installation manual. The use of the installation manual will at all times be subject to Dutch law.

Van der Valk Solar Systems holds the right to amend this document without further notice.

The ValkPitched Hangerbolt mounting system is a product of:

Van der Valk Solar Systems BV

Netherlands Chamber of Commerce: 27355116

www.valksolarsystems.com

Mounting the Hanger bolts

VAN DER VALK



SOLAR SYSTEMS

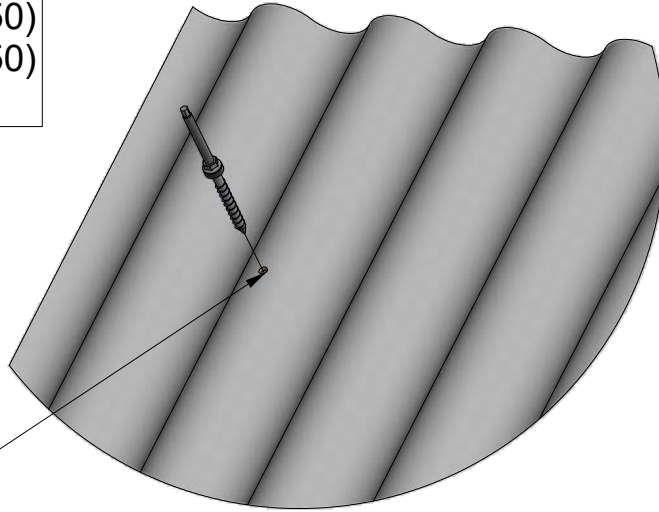


74.79.15 (M10x200)
74.79.17 (M10x250)

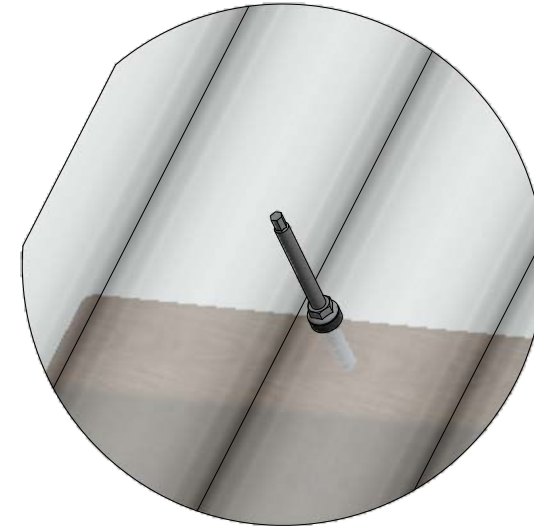


74.79.20 (M12x250)
74.79.22 (M12x350)

Detail A



Detail A



Drill hole for hanger bolts.

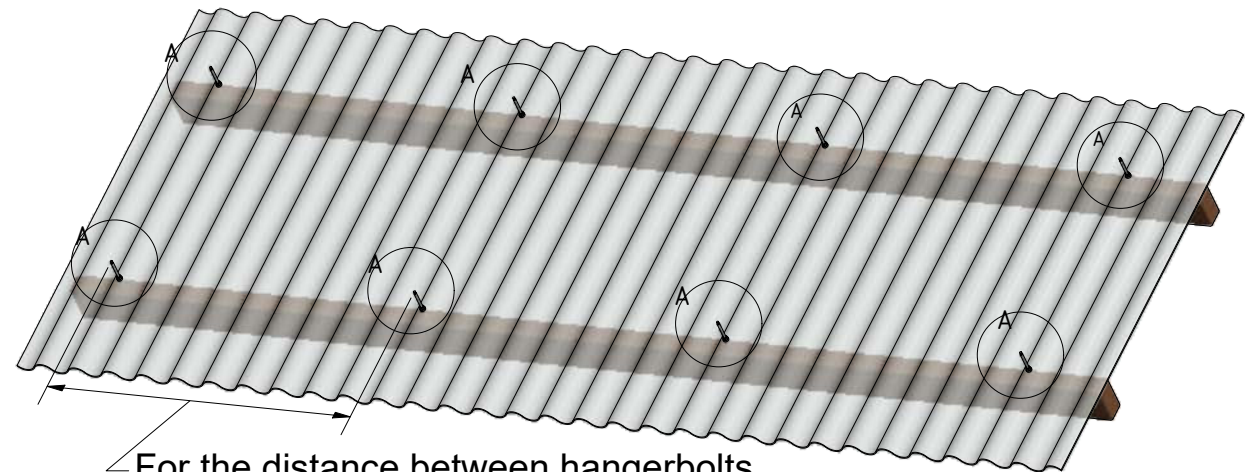
M10 : Hole size 10 mm in corrugated sheet

M12 : Hole size 12 mm in corrugated sheet

Pre drill in wood.

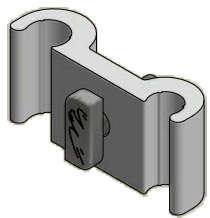
M10 : Hole size 7,0 mm

M12 : Hole size 8,4 mm

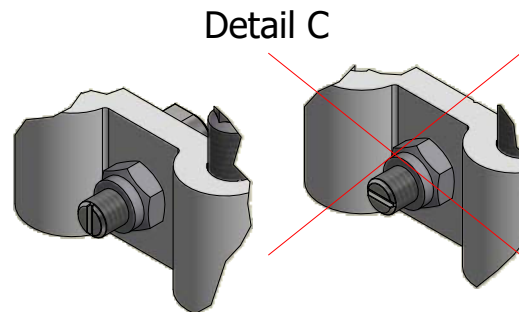
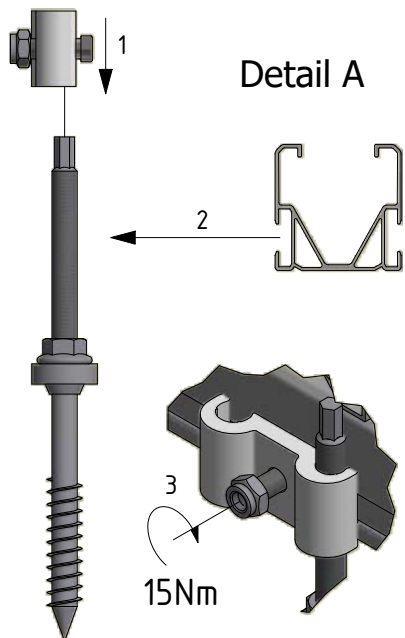


For the distance between hangerbolts.
See the Project Report of the ValkPVplanner.

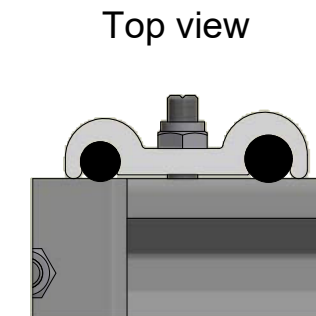
Mounting Side++ profile



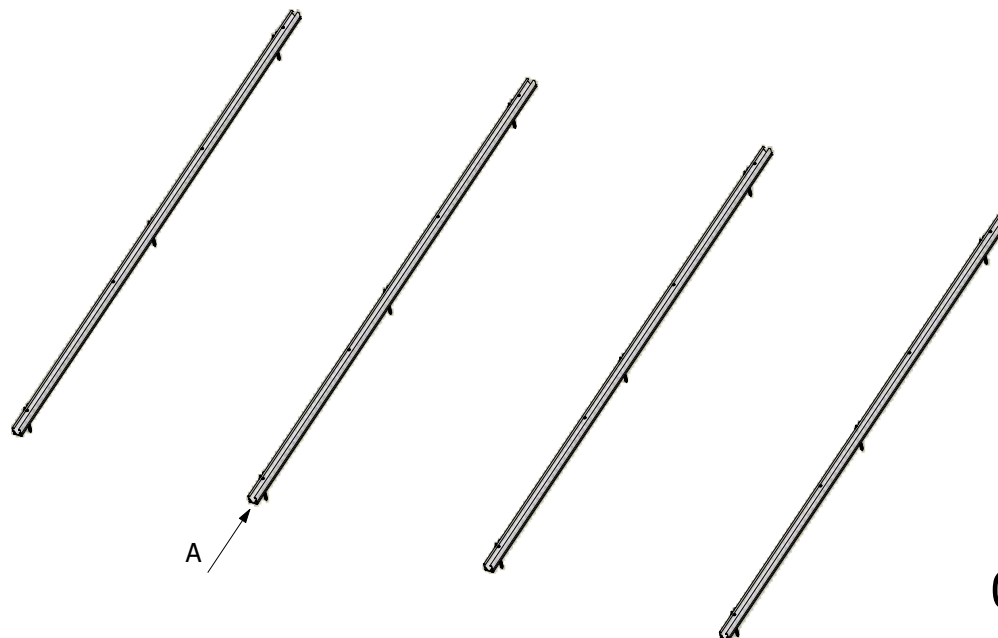
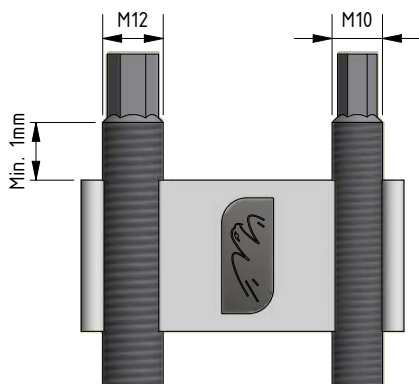
72.11.00



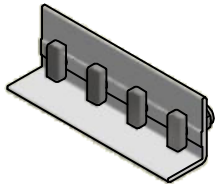
The groove of the bolt corresponds with the orientation of the bolt head.



At least 1 mm thread above the clamp.

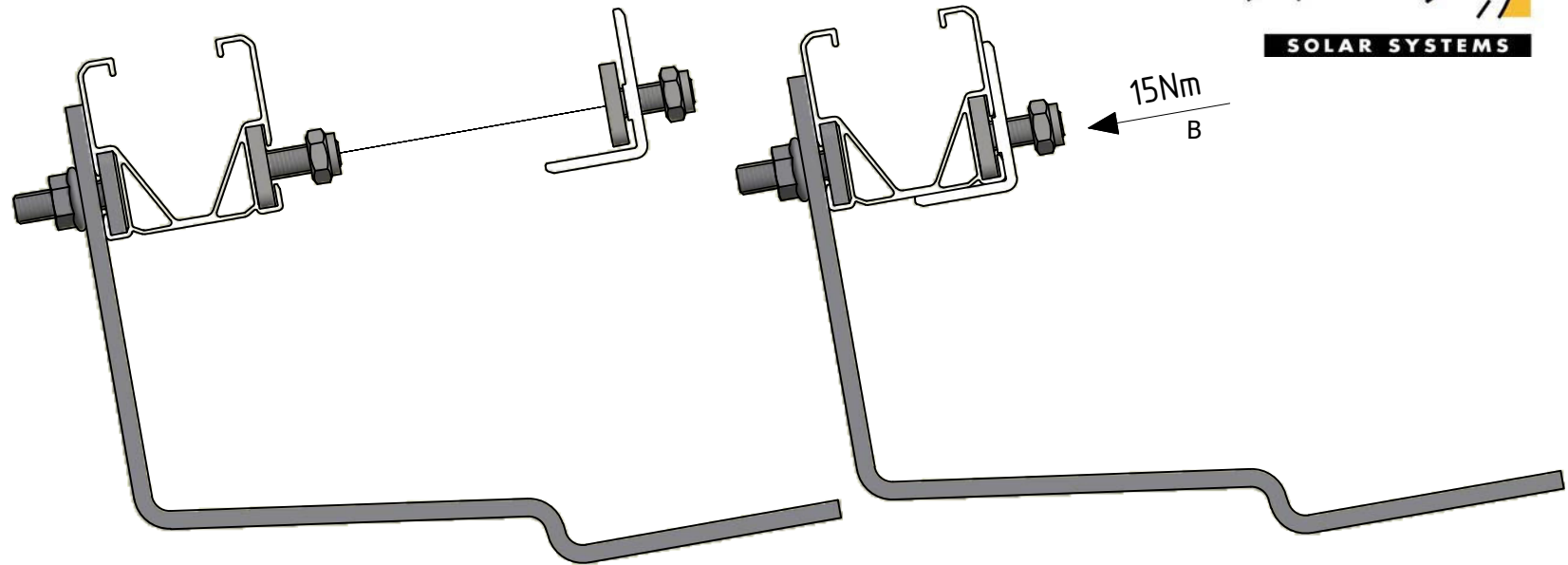


Mounting the Side++ coupling



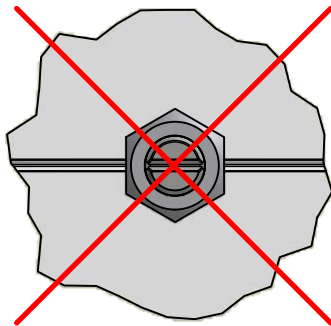
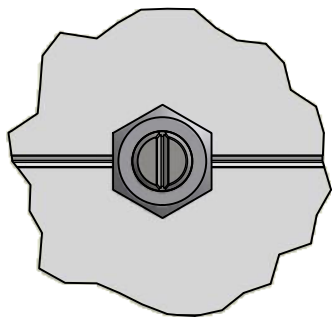
72.48.63

Detail A

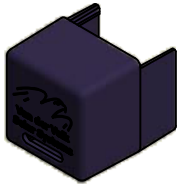


The groove of the bolt corresponds with the orientation of the bolt head.

Detail B

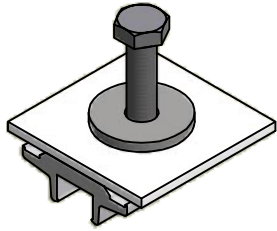


Optional:



73.90.52

Optional:



77.42.23

Optional:



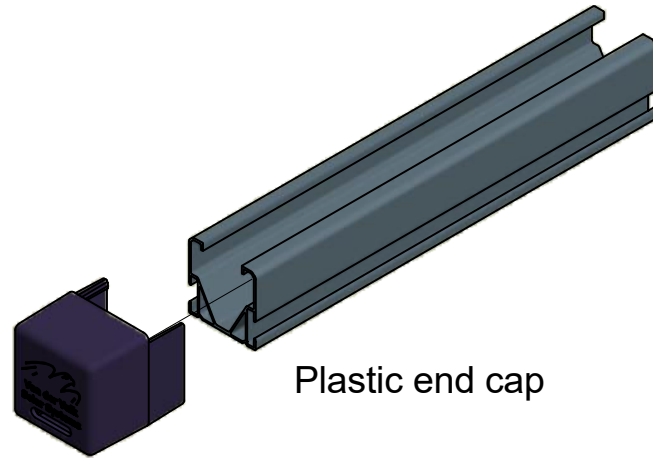
73.30.20

Mounting optional products

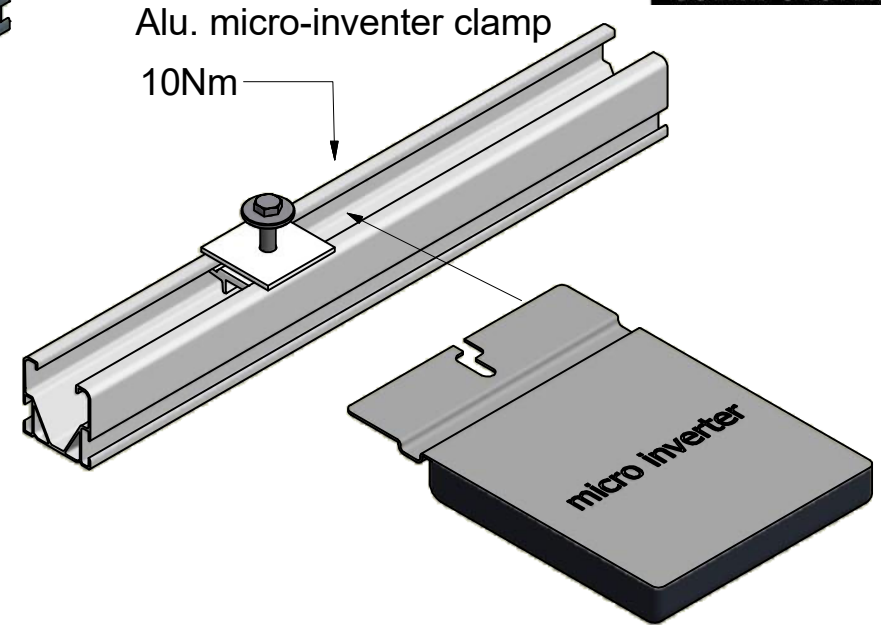
VAN DER VALK



SOLAR SYSTEMS



Plastic end cap

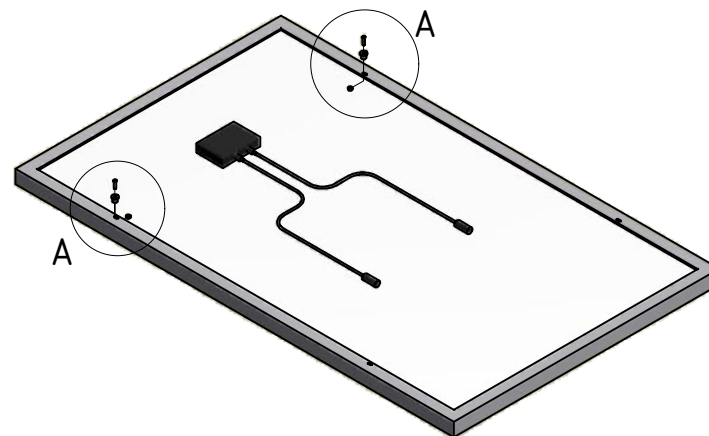


Alu. micro-inverter clamp

10Nm

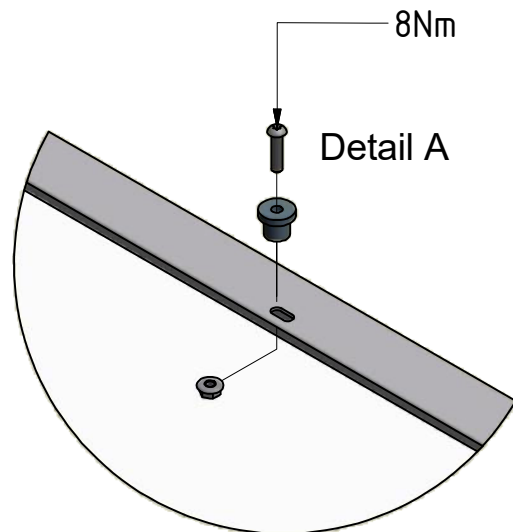
micro inverter

Plastic panel alignment pins



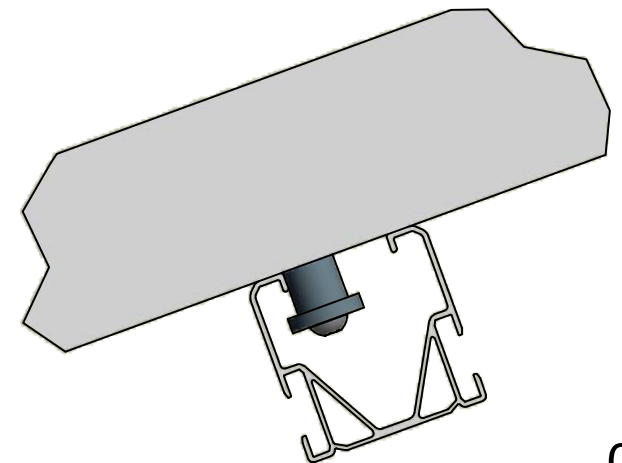
A

A

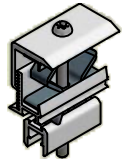


8Nm

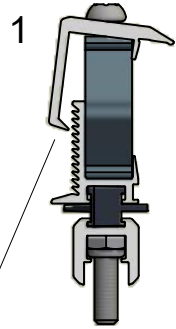
Detail A



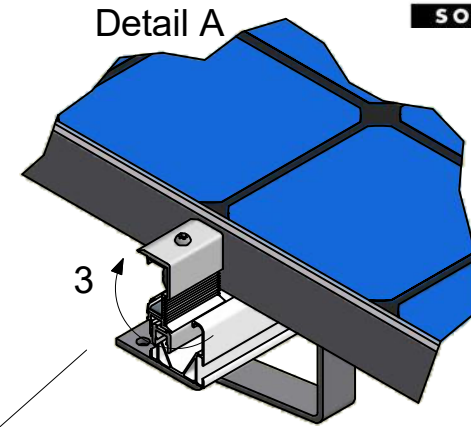
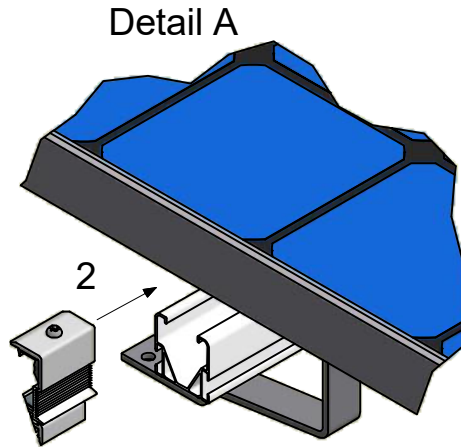
Mounting end clamps



72.15.52

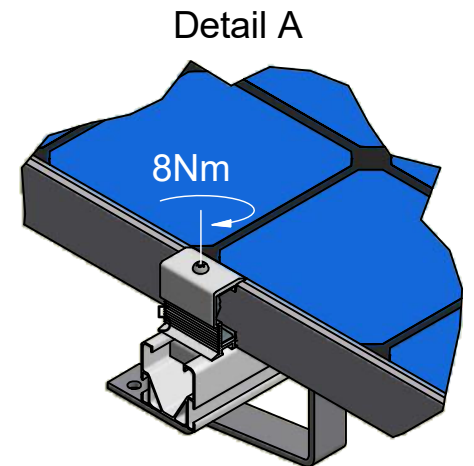
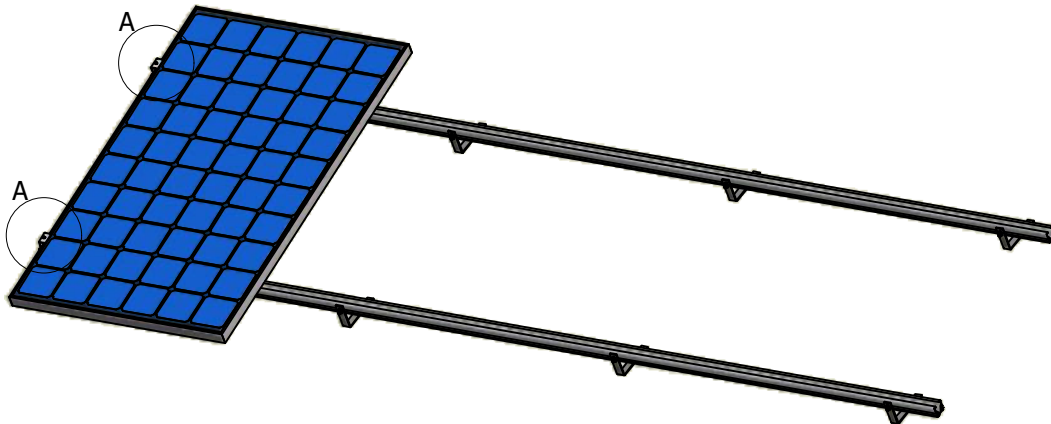


Take the end clamp out of it's slot to make the assembly easier.



The end clamp can only be turned clockwise.

Put the end clamp in the right slot to continue the assembly.





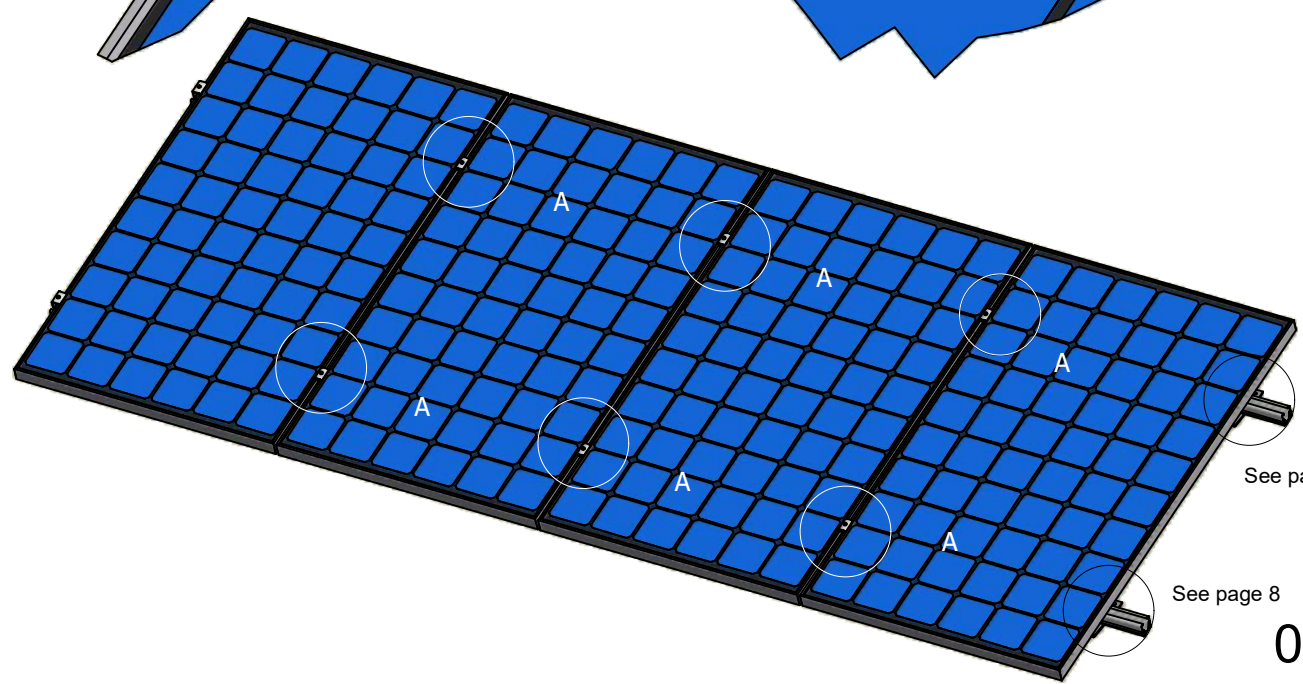
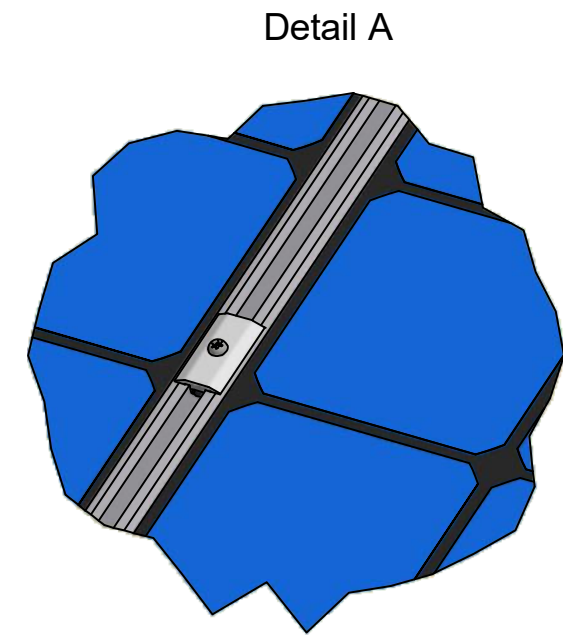
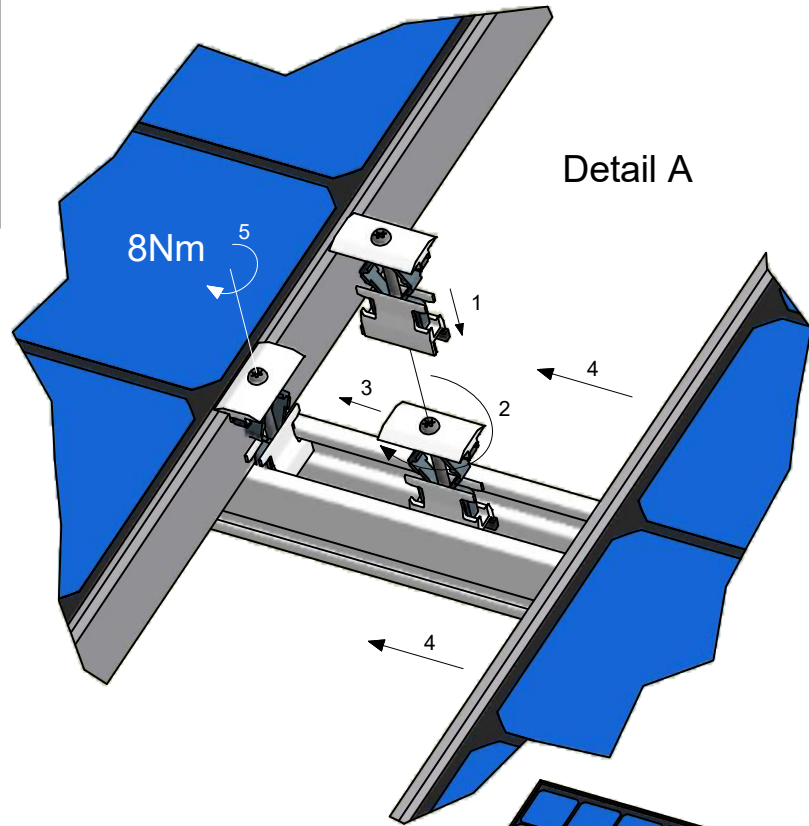
72.15.50

Mounting middle clamps

VAN DER VALK



SOLAR SYSTEMS



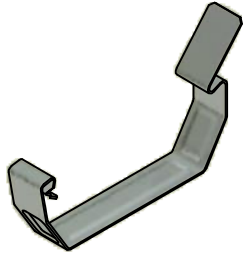
See page 8

See page 8

optional



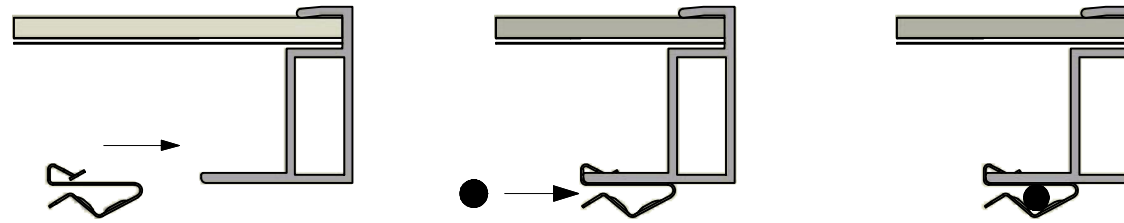
73.20.01
max. cable
diameter Ø9 mm



73.20.05
max. cable
diameter Ø9 mm

Mounting cable clamp

Mounting cable clamp on panel.

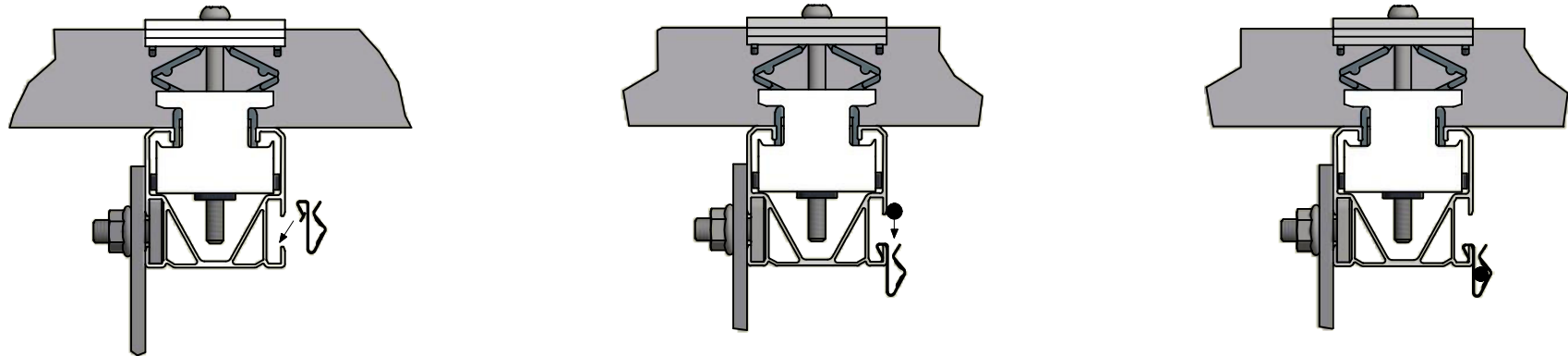


VAN DER VALK



SOLAR SYSTEMS

Mounting cable clamp on side++ profile.



Mounting cable clamp on side++ profile.

