



Datasheet ValkAce - Strongline

Technical specifications

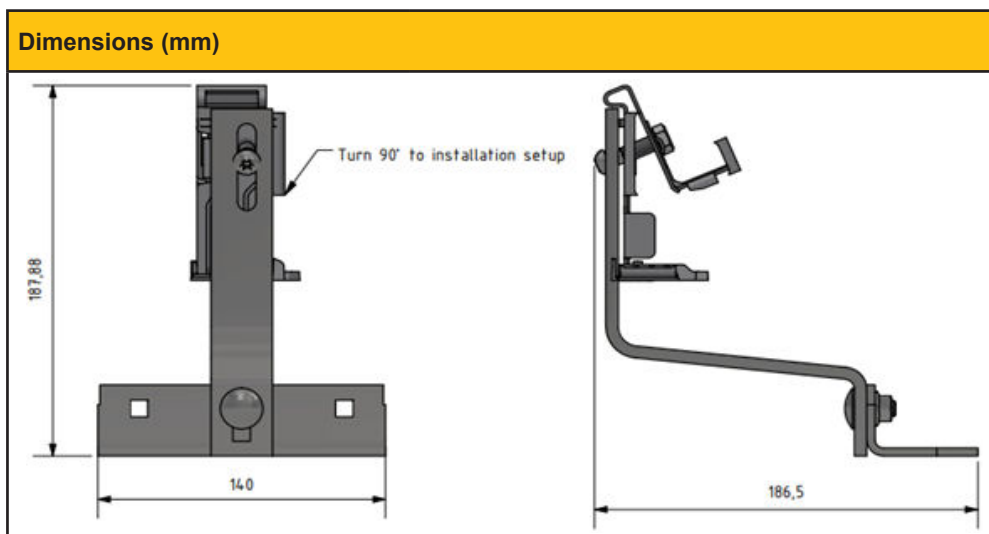
- Strong roof hook for PV systems installed on pitched roofs with tiles.
- 3-way adjustability in height and width
 - Top 38-51mm – adjustability of 13mm.
 - Bottom 176-189 – adjustability of 13mm.
 - Width minus and plus 50 mm.
- Roof hooks to be used for horizontal and vertical profile mounting (portrait / landscape).
- Roof hook manufactured in stainless steel.
- Roof hook coupling manufactured in steel with zinc magnesium coating.

Key benefits ValkAce - Strongline roof hook

- Hoge flexibiliteit. De boven- en onderkant en de breedte kunnen worden aangepast voor een perfecte omlijnung.
- Eenvoudig te gebruiken met ValkAce profielen en ValkAce paneelklemmen (25-40 mm).

Article information

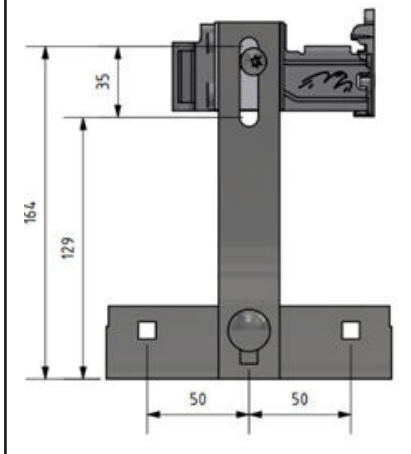
ValkAce - Strongline	
Material no.	747506
Description	ValkAce - Strongline roof hook
GTIN code	08719632527268
Image	
Weight (kg)	0,882
Pcs. per packaging	20



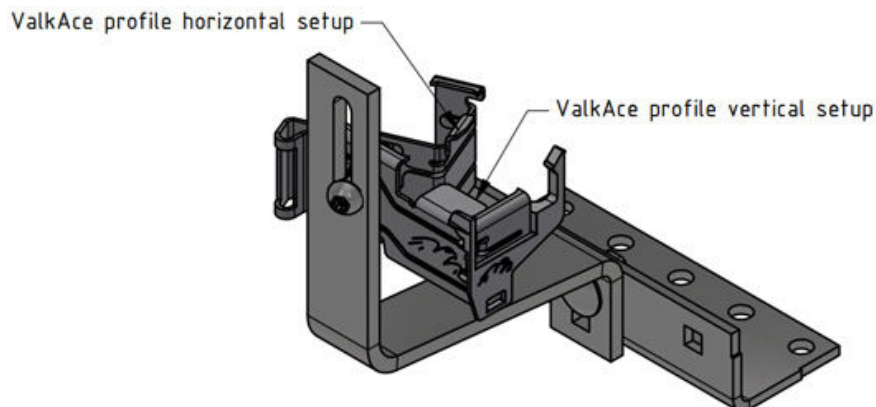


Datasheet ValkAce - Strongline

Adjustment options (mm)



Profile horizontal (Portrait) and vertical (Landscape)



Technical specifications ValkAce

- Standard profile lengths ideal for panels 1134 mm wide.
- Suitable for 25 - 30 - 35 - 40 mm panel height.
- Space between panels 13 mm.

Key benefits ValkAce

- Easy clip-on panel clamps and slide-in coupling.
- Only one tool required (T30).
- Super-fast installation and easy height adjustment.
- Automatic electrical connection of metal parts and panels.
- Clip-on cable management and earth terminal.
- Very limited number of components for easy logistics and assembly.

Calculations

Projects using the ValkAce Strongline roof hook can be calculated easily and according to regionally applicable standards using the [ValkPVplanner](#).