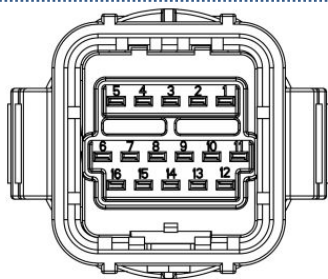


### H1-G2



H1 - G2 communication terminal

PIN1: Meter485A

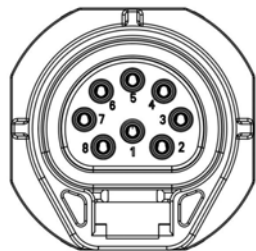
PIN2: Meter485B

PIN3: EV Charger 485B

PIN4: EV Charger 485A

PIN	1	2	3	4	5	6	7	8
Definition	Meter485A	Meter485B	485B	485A	CT2+	CT2-	CT1-	CT1+

### H3



H3 communication terminal

PIN4: Meter485A

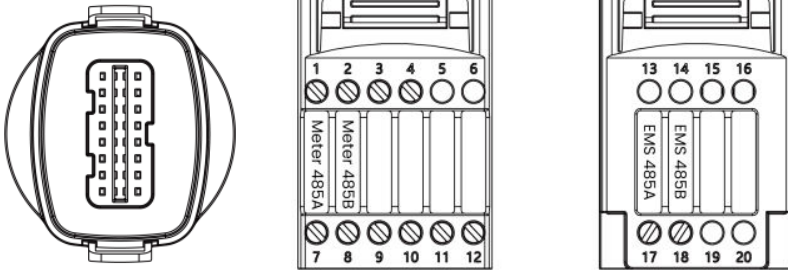
PIN3: Meter485B

PIN1: EV Charger 485A

PIN2: EV Charger 485B

PIN	1	2	3	4	5	6	7	8
Definition	485A	485B	Meter 485B	Meter 485A	GND	GND	RY_CON	+12V

### H3-Pro



1	2	3	4	5	6	7	8
DRY RLY2-	DRY RLY2+	DRY RLY1-	DRY RLY1+	/	/	Meter 485A	Meter 485B
9	10	11	12	13	14	15	16
GND TVS	GND COM	+12V SELV	RY Ctrl	/	/	/	/
17	18	19	20				
EMS 485A	EMS 485B	/	/				

### H3-Pro communication terminal

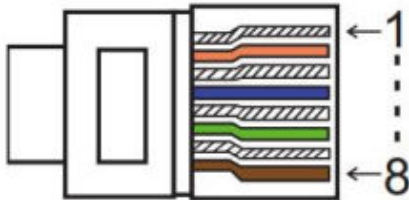
PIN7: Meter485A

PIN8: Meter485B

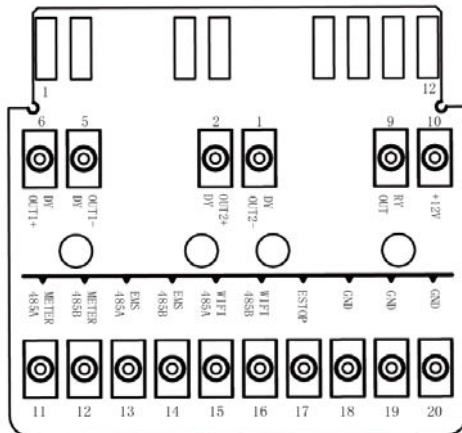
PIN17: EV Charger 485A

PIN18: EV Charger 485B

### H3-Smart



PIN	1	2	3	4	5	6	7	8
Definition	Meter 485B	Meter 485A	/	/	/	/	Meter 485B	Meter 485A



PIN	13	14
Definition	485A	485B

### H3-Smart communication terminal

PIN1: Meter485B

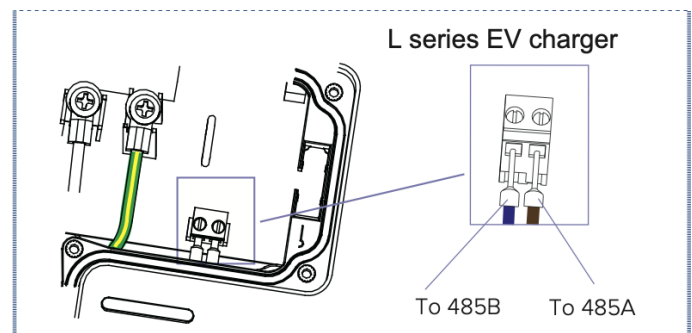
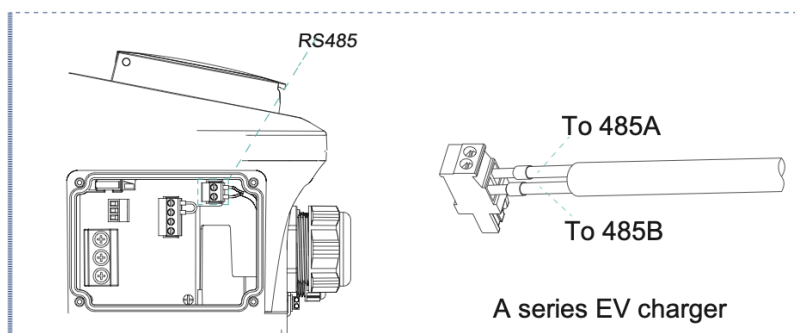
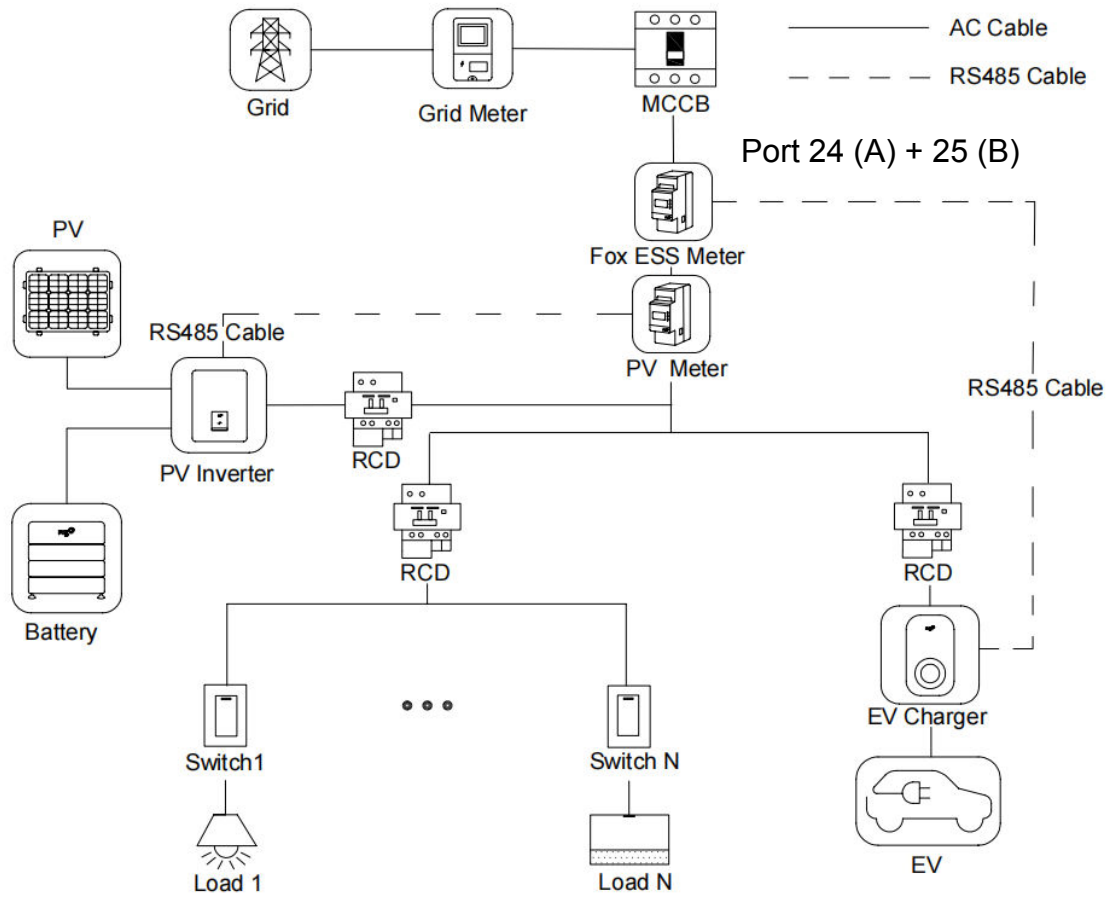
PIN2: Meter485A

PIN13: EV Charger 485A

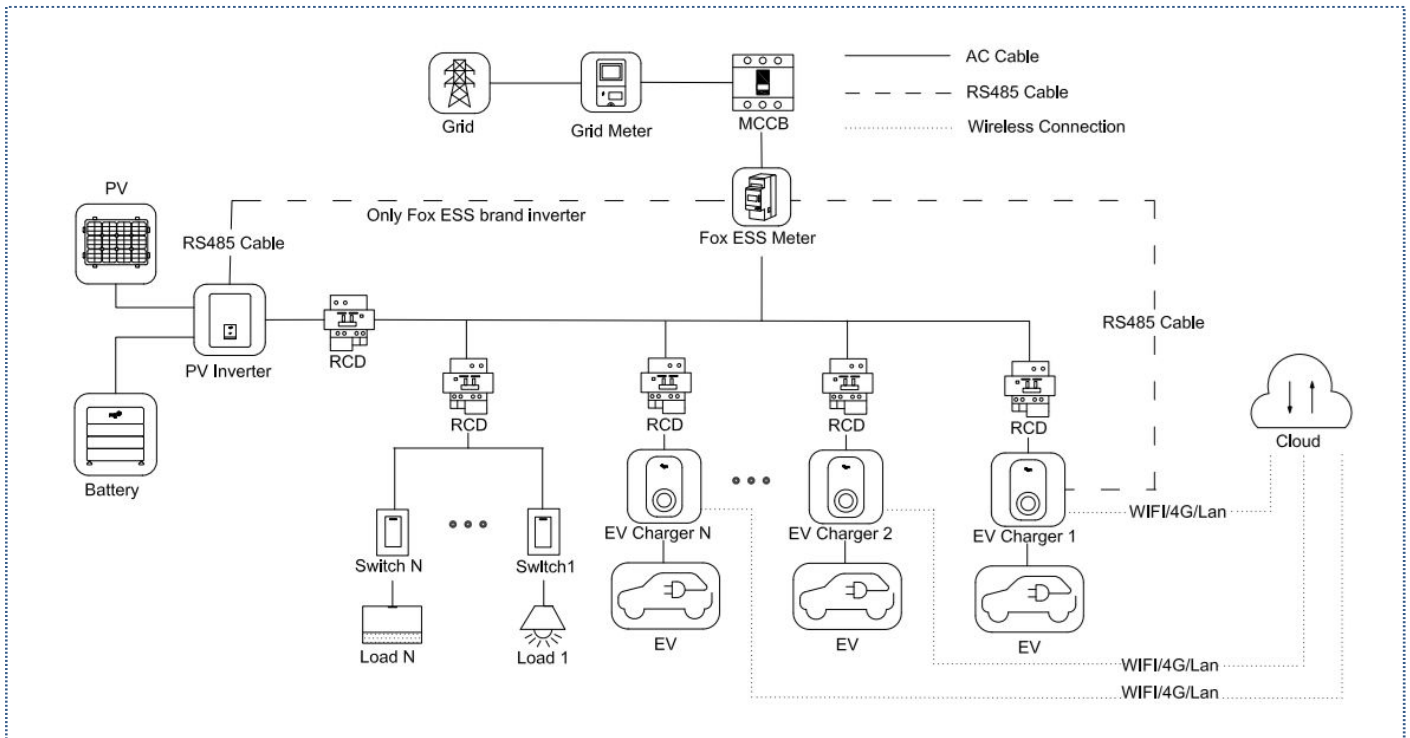
PIN14: EV Charger 485B

# Single EV Charger for PV system

Non-Fox Brand Inverter



# Multi-EV chargers PV linkage system Fox Brand Inverter



# Multi-EV chargers PV linkage system Non-Fox Brand Inverter

